

# TWS | easy

**Enterprise job scheduling systems such as TWS for z/OS, along with TWS End-to-End, from**

**IBM/Tivoli are the backbone of mission critical batch systems.** It is imperative that performance and reliability

are optimized, while at the same time the overhead of maintaining and running the batch scheduling environment is

minimized. To accomplish this goal scheduling staff require a toolset that is versatile, feature rich and easy to utilize.

TWSeasy was designed to address the needs of the scheduling staff in specific key areas of operations. TWSeasy is a

production management enhancement solution for all TWS for z/OS environments that significantly simplifies job setup,

scheduling, control, and offers vast improvements in batch throughput and efficiency.

## TWSeasy Operates in Four Distinct Modes

### TWSeasy Setup

- Trial simulation and resolution of JCL with TWS variables during any JCL edit from the AD, LTP or CP, verifying production JCL and eliminating OJCV errors during batch execution.
- Pre-substitution of JCL variable values at any point in time for an unlimited number of jobs, instead of submit time, saving significantly on job setup time.
- JCL variable coding aide (edit macro) that simplifies variable coding while reducing errors.

### TWSeasy Load/Unload

- Explicitly or generically unload any or all TWS for z/OS base definitions in a standardized sequential format allowing for mass changes, application cloning, introduction into a change/configuration management process and archiving.
- Perform mass deletions removing resources no longer utilized.

### TWSeasy Application Definition and Planning

- Define and schedule jobs within TWS for z/OS from one screen simplifying the process and extending accessibility of TWS across the organization.
- Automate dynamic ad-hoc batch jobs.

### TWSeasy Request

- Allow end-users to submit pre-defined ad-hoc jobs into TWS for z/OS from a user friendly interface in a controlled environment unburdening scheduling staff.
- Provide a GUI/Web interface extending the accessibility of TWS for z/OS to a broad range of users, without the requirement of establishing mainframe sessions.

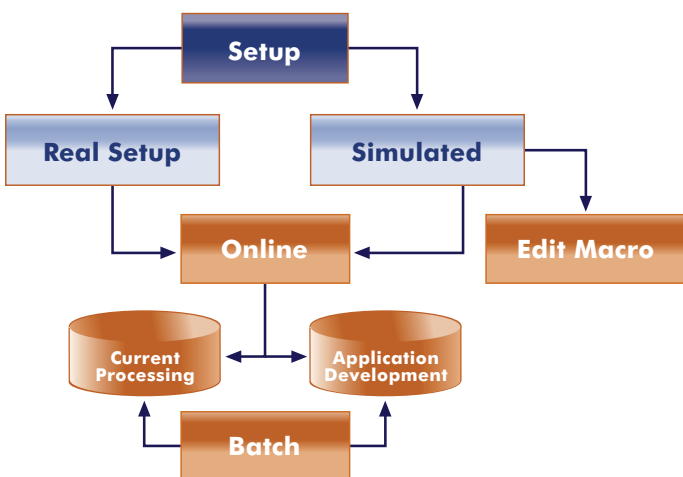
Easy to implement and use TWSeasy provides vital add-on functionality offering major enhancements to the existing TWS for z/OS feature set that is of immediate benefit to your operations personnel, application developers, end-users and last, but certainly not least, your business results.

## TWSeasy Setup

Testing job variables through substitution avoids costly errors resulting in downtime. The trial setup function of Setup Mode allows you to simulate variable substitutions for jobs in applications from within ISPF, or in batch, without submission. Substitution and resolution can be derived from the TWS AD, LTP or CP. When based on the AD users can also specify any input arrival date and time. Based on explicit or generic filtering one or more applications may be selected for simulation.

The real setup function of Setup Mode allows you to pre-substitute, or "prime", your variables at any point in time, for an unlimited number of jobs, rather than only at submission time. This saves significant amounts of time during the job setup phase.

The IBM Redbook Maximizing your OPC/TWS Throughput states as follows: "Preliminary stage JCL: Move as much JCL as possible to the JS file before it reaches a ready state, using a program interface staging program. If severe problems are encountered it may be necessary to do this manually. The preferred method is to use an OPC PIF program."



The VAR Edit macro of Setup Mode provides support for users in coding of TWS supplied variables providing a "point-and-shoot" method of creating variables. This method reduces the risk of errors while speeding up the definition process.

## Benefits

- Reduced downtime resulting from OJVC errors
- Increased reliability
- Enhanced performance during TWS job submission
- Significant time savings working with job variables

## TWSeasy Load/Unload

TWSeasy Load/Unload Mode allows you to unload or load any or all TWS for z/OS base definitions. Base definitions are unloaded into standard batchloader format files (where supported by IBM) or into a standardized sequential format. Users have the ability to generically filter on many different fields to qualify what will be unloaded. Users can even qualify applications and then specify that all resources associated with those applications be downloaded as well.

### TWSeasy Load/Unload supports the unloading and loading of the following base definitions:

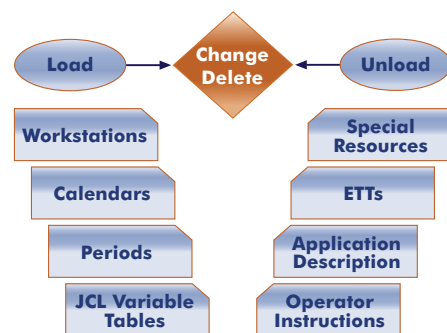
- Application Definitions
- Operator Instructions
- JCL Variable Tables
- Calendars
- Periods
- Workstations
- Special Resources
- ETTs

Mass changes can be performed on partial or whole strings of the base definitions using literal values or variables. Specific application parameters can actually be mass changed directly within the AD database, without an unload/load process.

Based on these features, users can clone subsets of base definitions with their resources and easily port them to other TWS systems; for example, moving applications and resources from TEST to PROD or visa versa.

Mass deletions can also be performed removing unused resources.

Because the base definitions are now in a sequential format they can be introduced into any change and configuration management solution or archival process.



## Benefits

- Easy and fast application cloning
- Support for the unloading/loading of ALL base definitions
- Time savings in dealing with base definitions
- Integration into change management process
- Archiving of TWS definitions

## TWSeasy ADP

Application Definition and Planning (ADP) Mode greatly extends the accessibility of TWS for z/OS across your organization without increasing the workload on production personnel. Users who have little or no experience with TWS for z/OS, such as system programmers, database administrators and application developers, can define and plan applications in an easy and fast manner through one ISPF screen, without having to work with TWS for z/OS online. Specific fields like Application Id, Entry Op No and Exit Op no can be pre-populated further simplifying the definition process.

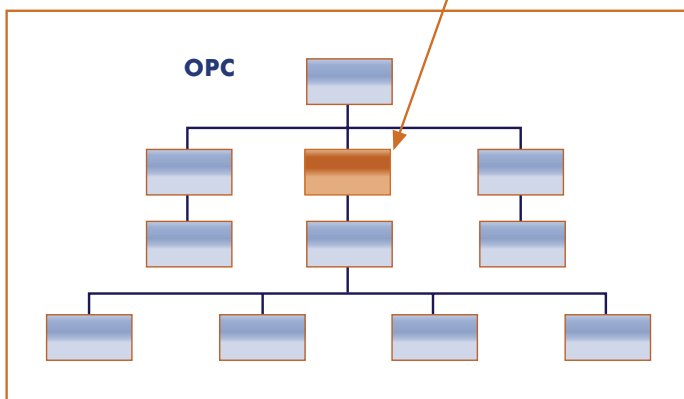
ADP Mode can also be used by production control personnel that want to define and plan an ad-hoc application using only one screen.

Applications can be defined and planned both in dialog and in batch. Using ADP in batch allows for the generation of dynamic ad-hoc jobs. For example a database utility could run and generate ad-hoc jobs through ADP Mode that will compress the appropriate databases.

```

----- Define/plan an Application ----- Row 1 of 4
Command ==>                               Scroll ==> HALF
PF3/15 - End of input Command: CAN cel - Terminate

ApplicationId => AFS00002      Date => 06/07/04 Time => 08.00 timedep => Y
Priority       => 5           Deadline Date => 06/07/04 Time => 23.59
                                   (YY/MM/DD)           (HH.MM)
Depends on   => AFS00001     =>           =>
(Application) =>           =>           =>
JCL var table => TESTTABLE00
Store into AD DB => N (Y/N) Add to plan => Y (Y/N) LTP or CP
rc OpNo Jobname dur Setup OKRC ---- Predecessor OpNo ----
s,j,l,d,t
-----
001  ENTRY  01  N  0000
020  MYJOB00 05  Y  0000 001
022  MYJOB01 05  N  0000 020
255  EXIT   01  N  0000
***** Bottom of data *****
  
```



### Benefits

- Extended TWS for z/OS usability to personnel outside production control
- Enhanced productivity of TWS for z/OS users
- Reduced training costs for new TWS for z/OS users
- Reduced errors through simplified user interface
- Easy submission of ad-hoc jobs
- Automation of dynamic ad-hoc jobs

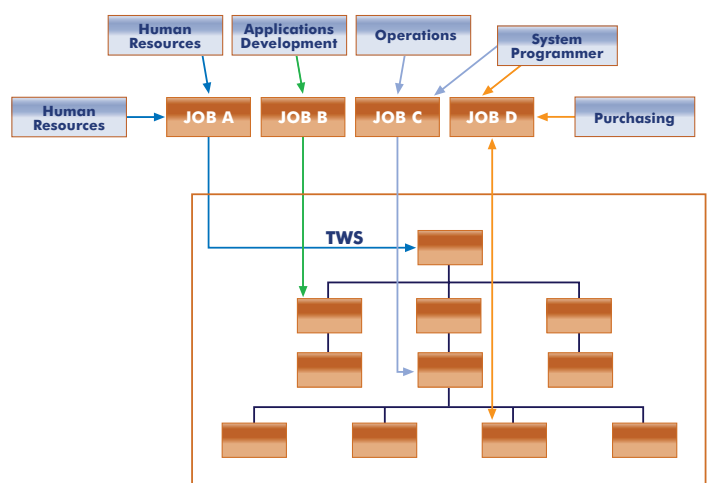
## TWSeasy Request

Utilizing TWSeasy's Request Mode your end-users can schedule and submit pre-defined "objects", which are made up of one or many applications, on an ad-hoc basis, without any knowledge of TWS for z/OS. Allowing users to schedule and submit their applications in a controlled environment unburdens scheduling staff from last minute requests and greatly reduces the risk of errors during information exchange between IT departments.

Users select from a list of pre-defined objects by friendly descriptions. This list of available objects is based on defined authorizations. Users can even specify variable values prior to the object(s) being submitted. The JCL and variables are transparent to the user, as they only see extended descriptions of the values to be entered.

A centralized or decentralized authorization process can be implemented so that user requests require authorization by a responsible party prior to submission.

A user-friendly ISPF interface is provided. Optionally, customers can set up a GUI/Web interface for submission through Request Mode.



### Benefits

- Easy submission of ad-hoc applications by end-users
- Reduced training time and costs
- Time and resource savings of scheduling staff and end-users
- Reduced risk of errors
- Controlled environment for submission of ad-hoc applications
- Better customer satisfaction

APS|ENTERprise offers a free, no obligation, 30 day trial. During your trial period you will receive full support for the installation, set-up and trial of TWSeasy.

Please contact us for further information or to schedule an on or off site demonstration.

For your local APS|ENTERprise partner please visit: [www.aps-enterprise.com](http://www.aps-enterprise.com).



#### UK RESELLER

Zosterops Ltd.  
Parke House  
6 Worplesdon Road  
Guildford  
Surrey  
GU2 9RW

Phone: 0845 121 8335  
Email: [info@zosterops.co.uk](mailto:info@zosterops.co.uk)  
Web: [www.zosterops.co.uk](http://www.zosterops.co.uk)



#### NORTH AMERICA

APS|ENTERprise software incorporated  
775 Park Avenue, Suite 200/10  
Huntington, NY 11743  
USA

Phone: 631-784-7720  
Fax: 631-824-9361  
Email: [info@aps-enterprise.com](mailto:info@aps-enterprise.com)  
Web: [www.aps-enterprise.com](http://www.aps-enterprise.com)



#### OUTSIDE NORTH AMERICA (Europe, Africa, Asia, Pacific, South America)

APS|ENTERprise software consulting gmbh  
Heinz-Nixdorf-Strasse 22  
41179 Mönchengladbach  
Germany

Phone: +49 2161/823777  
Email: [info@aps-enterprise.com](mailto:info@aps-enterprise.com)  
Web: [www.aps-enterprise.com](http://www.aps-enterprise.com)