

## *Making life with TWS for z/OS easy*

Enterprise job scheduling systems like OPC (TWS, Tivoli Workload Scheduler) are the backbone of mission critical batch systems. TWS|easy provides powerful tools to improve TWS performance and reliability, combined with enhanced TWS usability and flexibility across the organisation.



### Product Summary

TWS|easy is a production management enhancement solution for all Operations Planning Control (OPC) / Tivoli Workload Scheduler (TWS) environments that significantly simplifies job setup, scheduling and control, and offers vast improvements in TWS throughput and efficiency.

Easy to implement and easy to use, TWS|easy provides vital add-on functionality and reliability to TWS production environments that is of immediate benefit to your operations personnel, your application developers, your end users and, last but not least, your business results.

TWS|easy operates in four different modes that each offer major enhancements to existing TWS functionality and provide ease of use:

- **TWS|easy Setup Mode**  
Offers trial setup during any JCL edit or from AD, LTP and CP. Variable pre-substitution and performance enhancement.
- **TWS|easy Load/Unload Mode**  
Easy and fast application "cloning" and manipulation. Enhances and extends the change management process.
- **TWS|easy Application Definition and Planning Mode**  
Reduces complexity of TWS usage significantly.
- **TWS|easy Request Mode**  
Creates ad-hoc jobs without any TWS knowledge requirement.

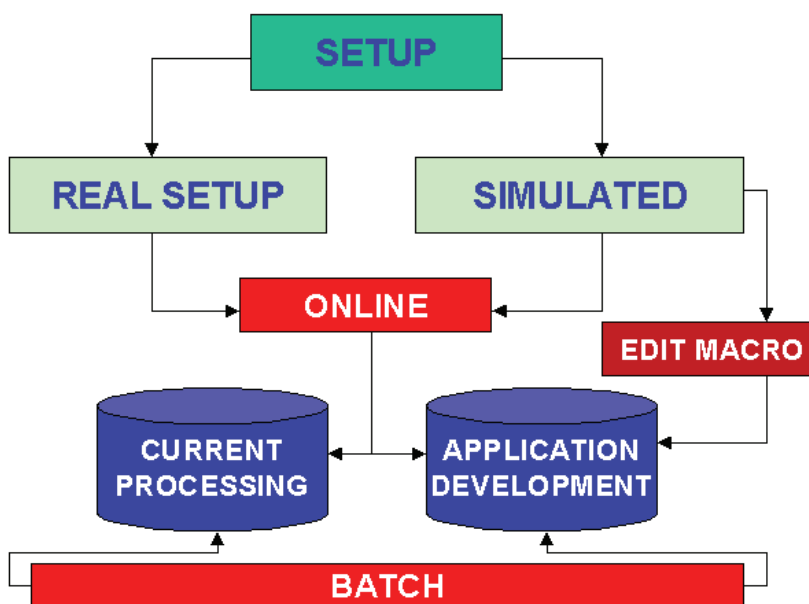
**"These are exactly the tools we need for our daily work."**

**Andreas Kessler, Deutsche Bank AG**

## Product Summary

The trial setup functionality in TWS|easy Setup Mode enables you to test your job variables by simulating variable substitution at any given time without submission and so avoid costly errors and resulting downtime.

In addition TWS|easy allows you to save significantly on job setup time. Instead of having to enter variables online on a job-by-job basis, you can pre-substitute your variables at any point in time for an unlimited amount of jobs rather than only at submission time.



## Supports IBM Recommendations: “Maximizing your OPC Throughput”

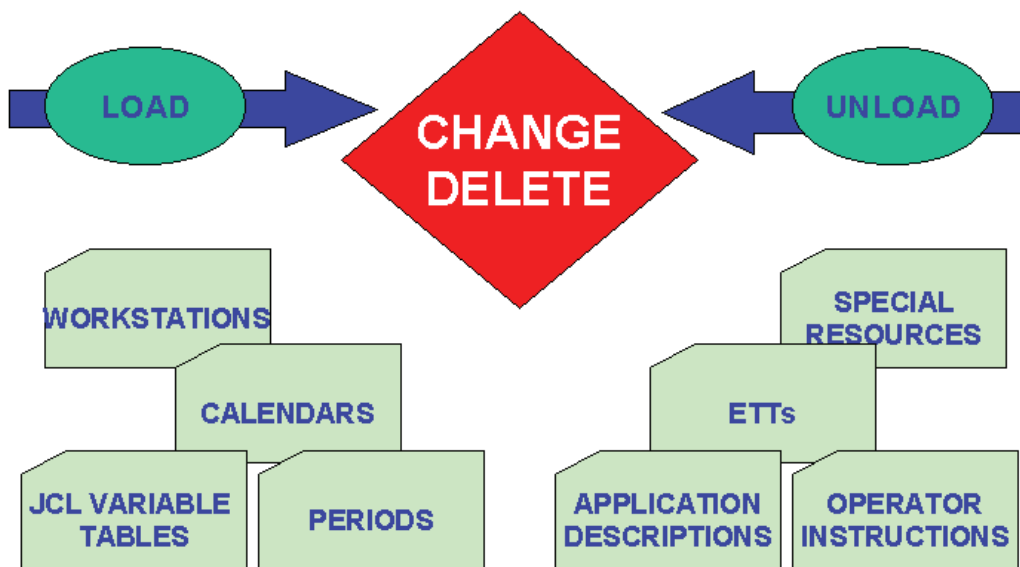
IBM Redbook: “ Preliminary stage JCL: Move as much JCL as possible to the JS file before it reaches a ready state, using a program interface staging program. If severe problems are encountered it may be necessary to do this manually. The preferred method is to use an OPC PIF program.”

## Key Benefits

- Significant time savings
- Increased reliability
- Minimise errors
- Enhanced performance during TWS job submission
- The secure way to work with job variables

## Product Summary

With the TWS|easy Load/Unload Mode, you can save vast amounts of time by being able to unload and change names or parts of names (such as application Ids, job names, etc.), or replace with a variable, and then reload into the same or another TWS system. In this way, TWS definitions can be 'cloned' over an unlimited amount of applications, and easily ported to other TWS systems.



## Key Benefits

- Easy and fast application 'cloning'
- Integration of TWS in Lifecycle Management concepts
- Archiving of TWS definitions
- Significant time savings
- Unloading/loading of all TWS definitions
  - Workstations
  - Calendar
  - Periods
  - Application descriptions
  - Special resources
  - ETTs
  - JCL variable tables
  - Operator instructions

## Product Summary

Because TWS|easy Application Definition and Planning (ADP) Mode is so easy to use and requires a minimum of training, your system programmers, database administrators and application developers can define and schedule jobs within the TWS environment in one single process, without having to work online with TWS.

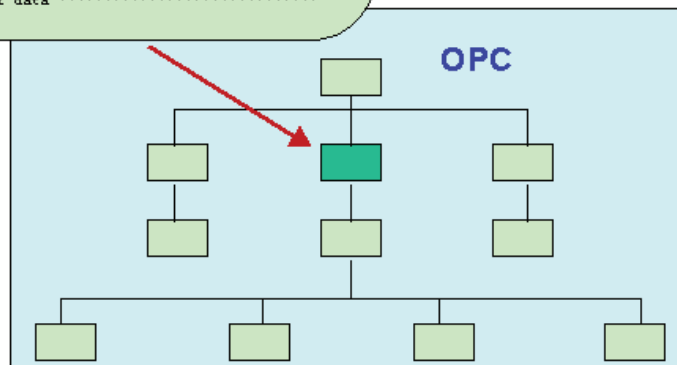
This greatly extends the scope of TWS across your organisation and offers vital flexibility without increasing the workload of your production personnel.

```

----- Define/plan an Application ----- Row 1 of 4
Command ==>                                SCROLL ==> HRLF

PF3/15 - End of input  Command: CAN cel - Terminate

ApplicationId => TEST4712      Date => 10.07.01 Time => 08:00 timedep => Y
Priority      => 5             Deadline Date => 10.07.01 Time => 23:59
Depends on   => TEST4711      =>
(Application) =>              =>
JCL var table => TESTTABLE00
Store into AD DB => N (Y/N) Add to plan => Y (Y/N) LTP or CP
rc OpNo Jobname dur Setup ORRC ---- Predecessor OpNo ----
s,j,i,d,r      mm Y/N rrrrr  rrr  rrr  rrr  rrr  rrr  rrr
001 ENTRY      01  N  0000
030 TESTJOB0  05  Y  0000 001
032 TESTJOB1  05  N  0000 030
099 EXIT       01  N  0000
***** Bottom of data *****
    
```

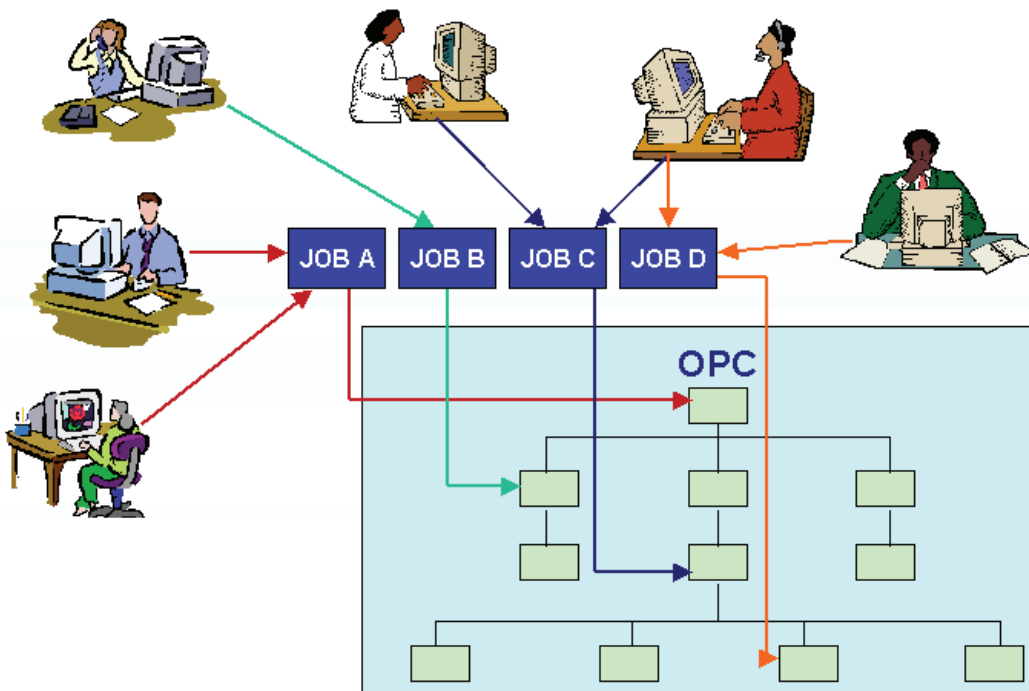


## Key Benefits

- Extended TWS usability to system programmers, database administrators, application developers
- Enhanced productivity of TWS users
- One screen only to define and plan a new application in TWS
- Reduced training costs for new TWS users
- Reduced user errors through simplified user interface
- Unburdening of production personnel
- Easy submission of ad-hoc jobs

## Product Summary

Even your end users can schedule and submit pre-defined jobs on an ad hoc basis without any knowledge of TWS, depending on the appropriate user authorization. This not only saves your production team vast amounts of time but eliminates the need for error-prone instructions via telephone, email and fax.



## Key Benefits

- Easy submission of ad-hoc jobs by end users
- Integration in existing environment
- Reduction of training costs
- Unburdening of production personnel
- Controlled user access
- Reduced errors during information exchange between IT departments
- Solves an open, real life, day to day problem in a simple way

## Quick Start Implementation

TWS|easy products are easy to use and easy to implement. The Quick Start Implementation (QSI) is available and will be tailored to customer specific requirements. The QSI program combined with experienced consulting services from APS|ENTERprise and other Certified Distribution Partners will ensure maximum exploitation of TWS|easy within days.

## APS Product Suite for TWS

TWS|easy is part of the APS Product Suite for TWS.

- VISUAL|job for TWS
  - Focal point of job design
  - Pro-active job management
  - „Graphical Intelligence“
  - Always up to date graphical job documentation
- TWS|emon
  - Extended monitor for TWS
  - Active monitoring of a single or multiple TWSs on one single screen

## Bottom line

TWS|easy provides solutions for real life, day to day situations in a TWS environment. Developed by experts with long term, practical experience in the TWS and scheduling area. A TWS|easy investment pays back within weeks.



**Phone: 0845 121 8335**  
**Fax: 01252 821880**  
**Email: [info@zosterops.co.uk](mailto:info@zosterops.co.uk)**  
**Web: [www.zosterops.co.uk](http://www.zosterops.co.uk)**